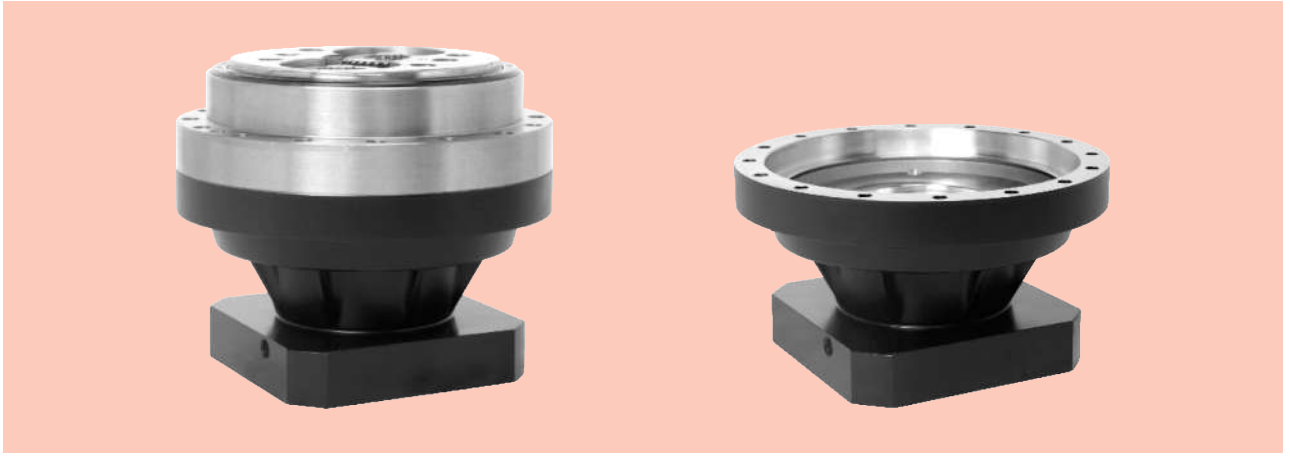
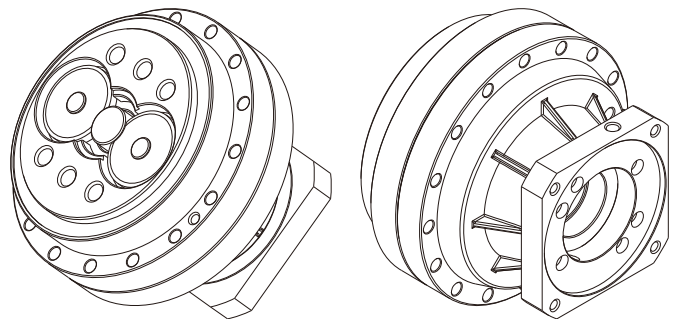
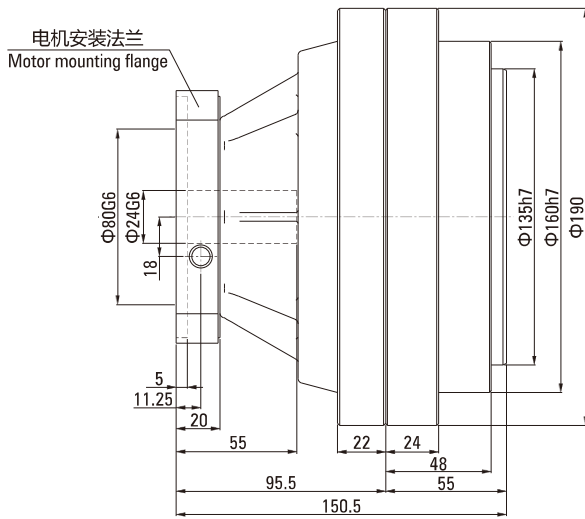
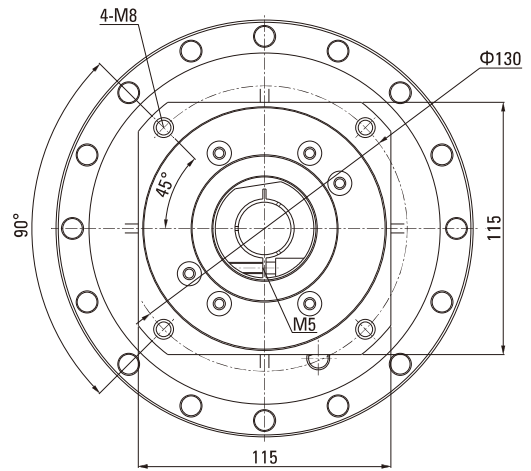
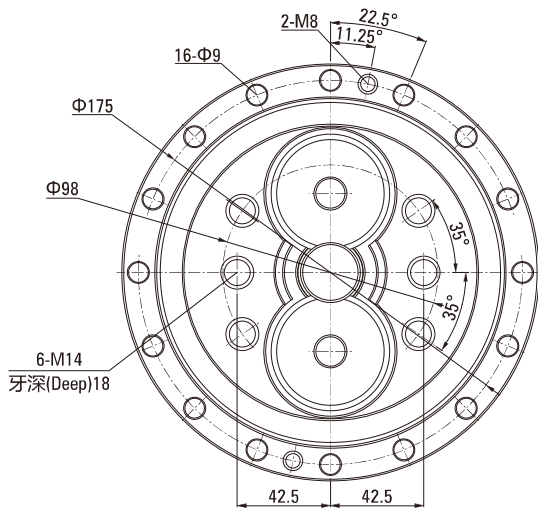


A系列外形尺寸图 A SERIES OUTLINE DIMENSION DRAWING



190BX-RVA-24 外形图 190BX-RVA-24 Outline Drawing



说明 Note:

1. 本图适用电机轴: $\leq 24 \times 55L$; 电机轴用锁紧器锁紧; This figure applies to the motor shaft: $\leq 24 \times 55L$; motor shaft lock use locker;
2. 电机安装法兰依电机型号提供。Motor mounting flange according to motor model.