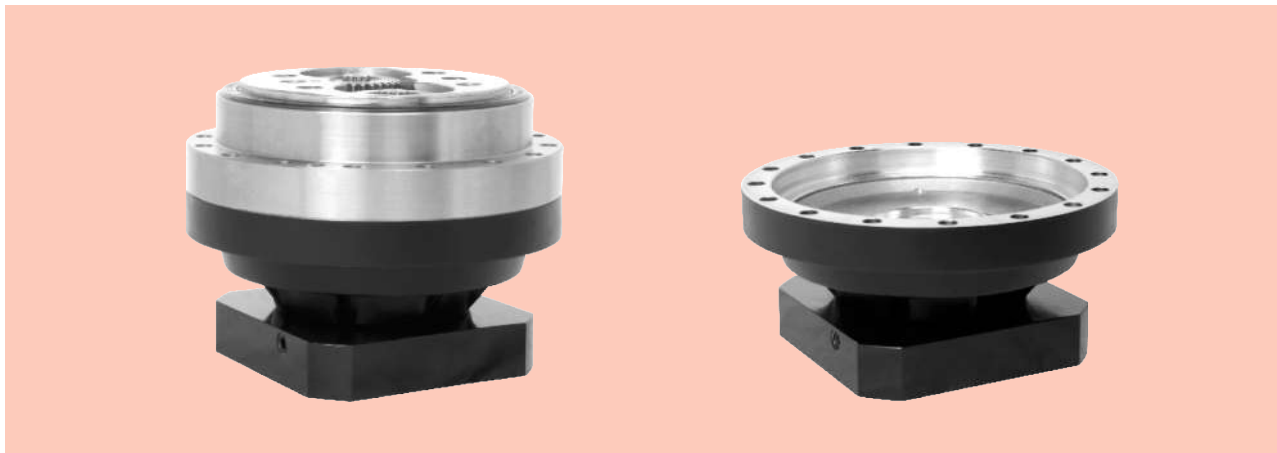
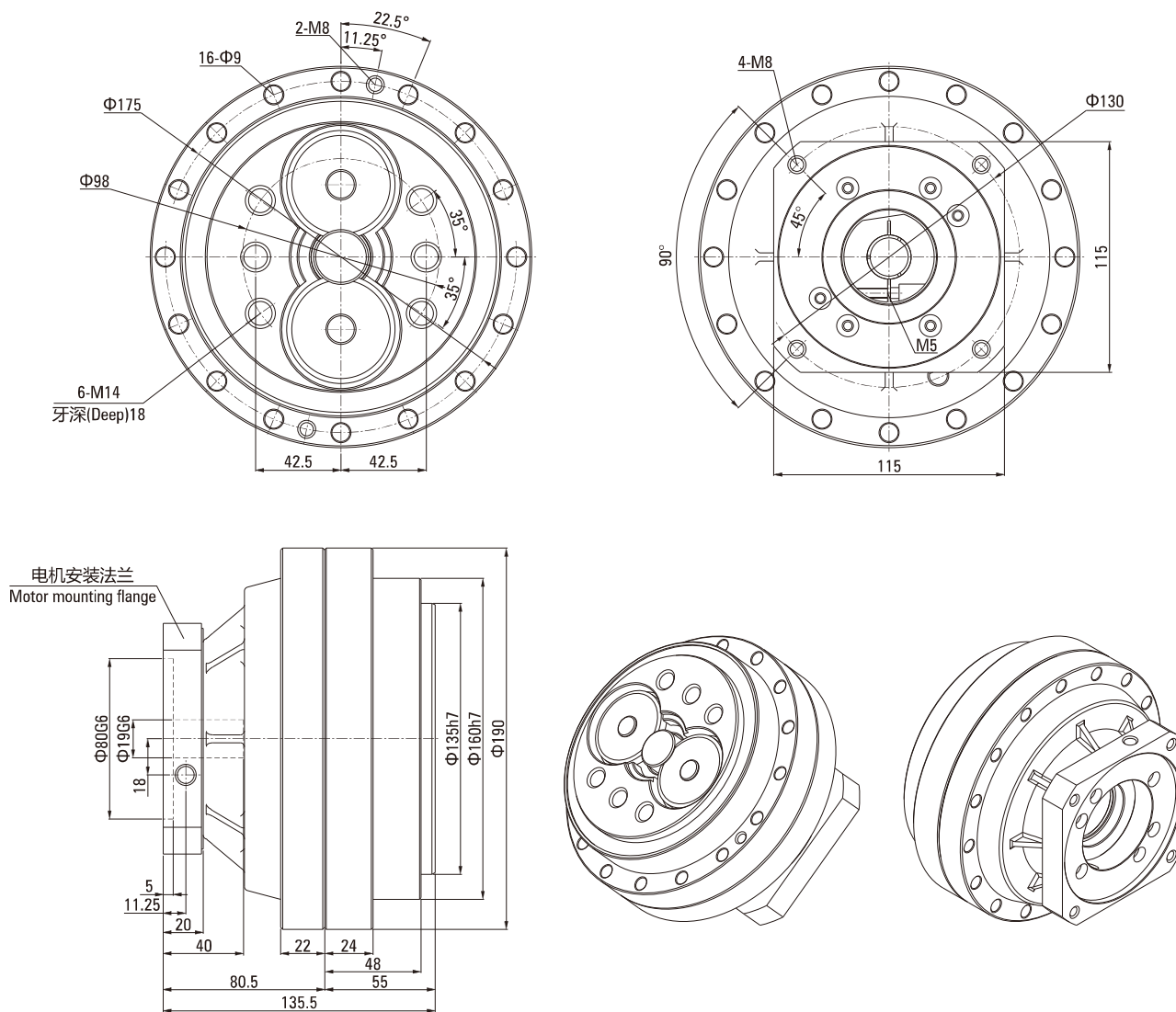


## A系列外形尺寸图

### A SERIES OUTLINE DIMENSION DRAWING



190BX-RVA-19 外形图 190BX--RVA-19 Outline Drawing



说明 Note:

1. 本图适用电机轴:  $\leq 19 \times 40L$ ; 电机轴用锁紧器锁紧; This figure applies to the motor shaft:  $\leq 19 \times 40L$ ; motor shaft lock use locker;
2. 电机安装法兰依电机型号提供。Motor mounting flange according to motor model.