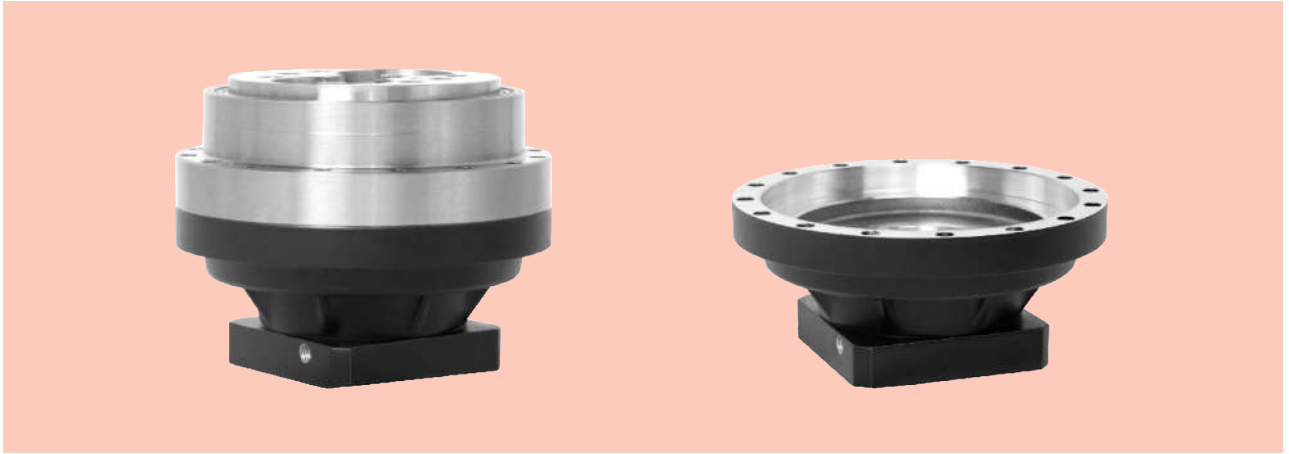
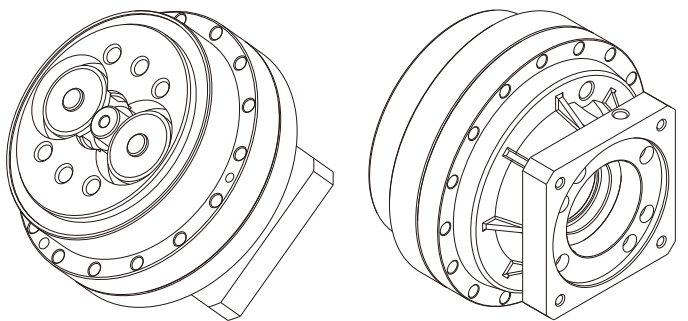
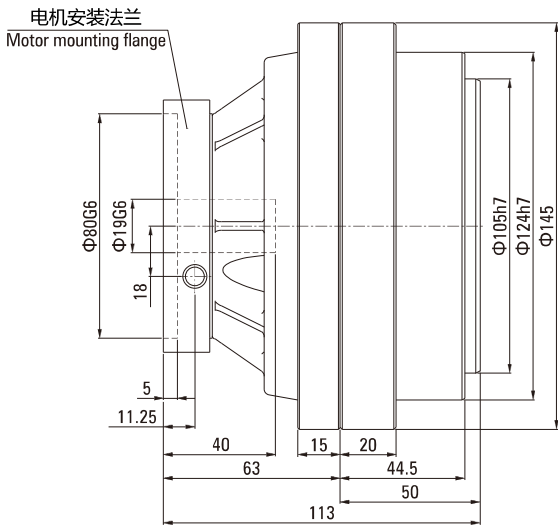
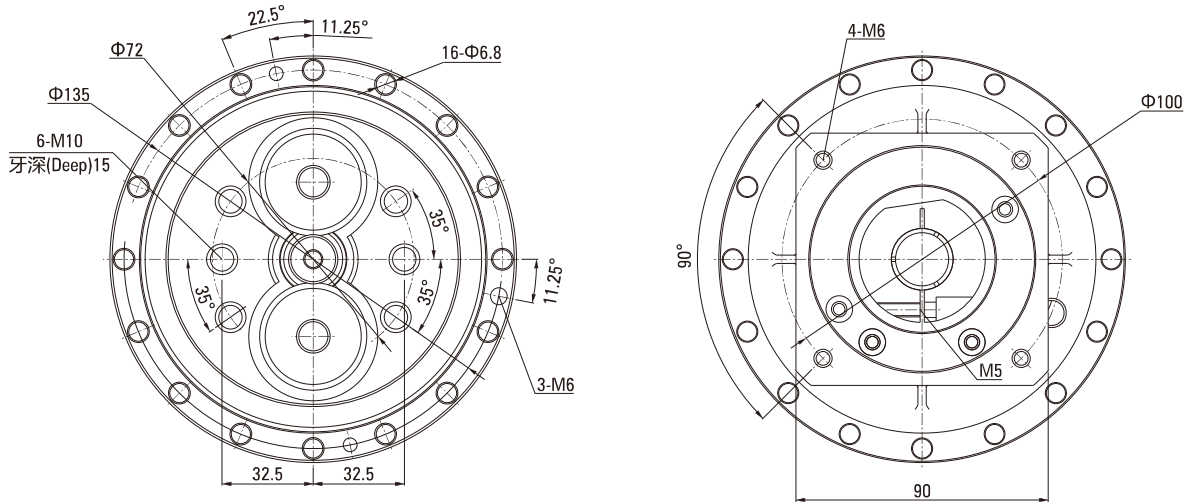


A系列外形尺寸图 A SERIES OUTLINE DIMENSION DRAWING



150BX-RVA-19 外形图 150BX--RVA-19 Outline Drawing



说明 Note:

1. 本图适用电机轴: $\leq 19 \times 40L$; 电机轴用锁紧器锁紧; This figure applies to the motor shaft: $\leq 19 \times 40L$; motor shaft lock use locker;
2. 电机安装法兰依电机型号提供; Motor mounting flange according to motor model;