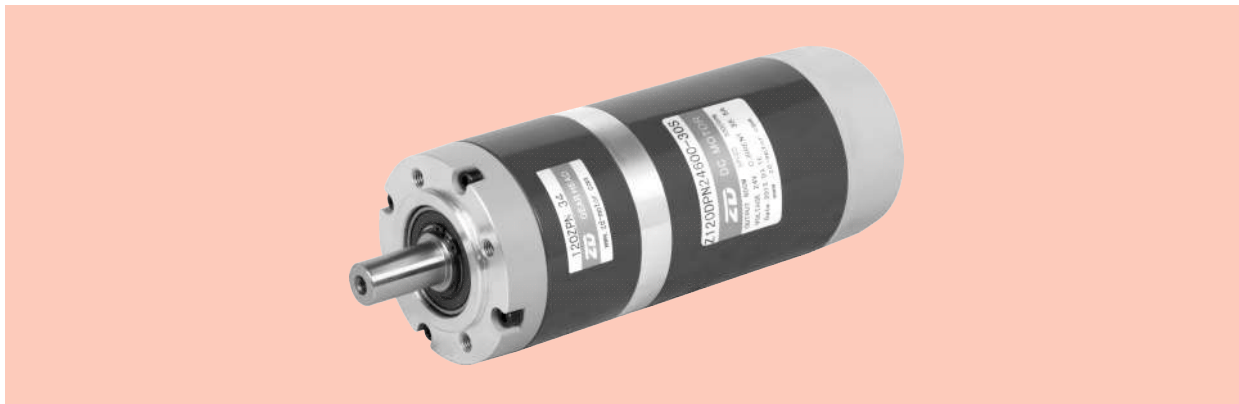
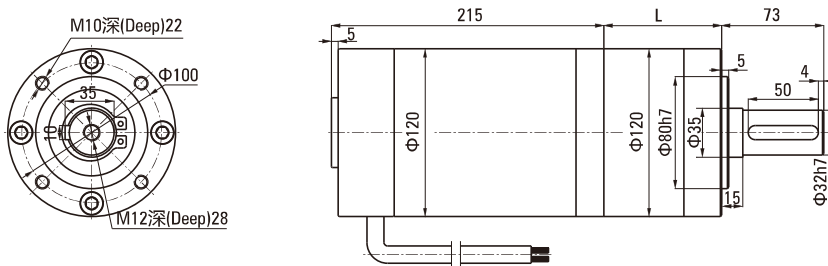


ZPN系列 PLANETARY GEAR MOTOR

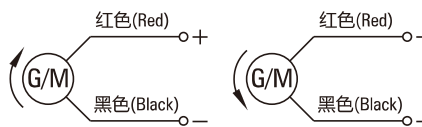
■ ZPNΦ120 BRUSH有刷



■ 外径120直流有刷行星减速电机外形图纸 Outside Diameter 120 DC Brush Motor



电机接线图 Wiring Diagram



电机型号 Motor Type	减速箱型号 Gearbox Model	减速比 Gear Ratio	L尺寸(mm) Dimension
Z120DPN	120ZPN□	一级Stage1	3.65~8.63
		二级Stage2	14~58
		三级Stage3	67~393

■ 有刷直流电机技术参数 Blush DC Motor Technical Data

有刷电机型号 Motor Type	电压 Voltage	功率 Power	空载电流 No-load Current	空载转速 Rated Speed	额定电流 Rated Current	额定转速 Rated Speed	额定力矩 Rated Torque	电机寿命 Motor Life
Type	V	W	A	RPM	A	RPM	N.m	H
Z120DPN12300-30S	12	300	4.0	3500	35.5	3000	0.955	2000
Z120DPN24600-30S	24	600	3.0	3500	35.5	3000	1.910	2000
Z120DPN48750-30S	48	750	2.5	3700	21.0	3000	2.388	2000

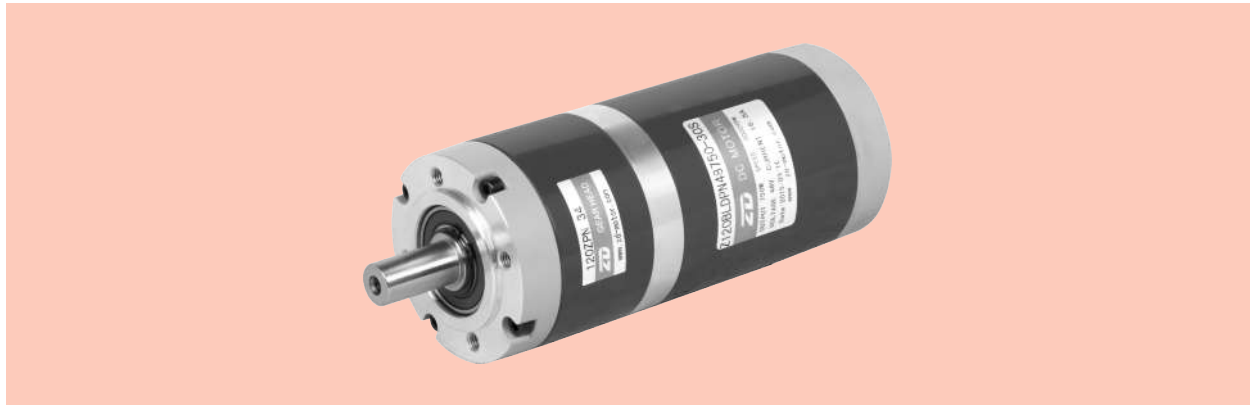
■ 有刷直行星减速电机技术参数 Blush DC Planetary Gear Motor Technical Data-Z120DPN24600-30S

减速比 Ratio	3.65	5.36	6.55	8.63	14	19	25	28	34	45	58	67	81
输出轴转速 r/min Output shaft Speed	822	560	458	348	222	159	122	107	89	67	52	45	37
允许力矩 N.m Allowable Torque	6.27	9.21	11.26	14.83	21.66	29.40	38.68	43.32	52.60	69.62	89.73	93.42	112.94
减速级数 Reduction Stage	1	1	1	1	2	2	2	2	2	2	2	3	3

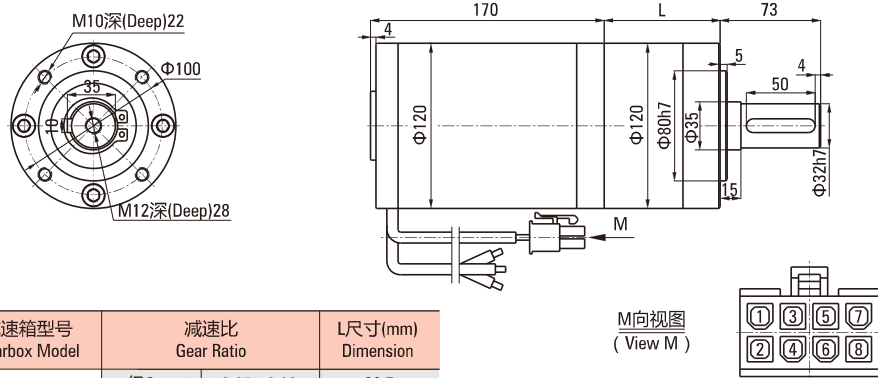
减速比 Ratio	91	103	119	128	146	165	192	232	302	393			
输出轴转速 r/min Output shaft Speed	33	29	25	24	21	18	16	13	9.9	7.6			
允许力矩 N.m Allowable Torque	126.88	143.61	165.92	178.47	203.57	230.06	267.71	300	300	300			
减速级数 Reduction Stage	3	3	3	3	3	3	3	3	3	3			

ZPN系列 PLANETARY GEAR MOTOR

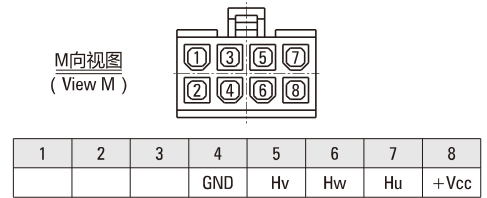
■ ZPNΦ120 BRUSHLESS无刷



■ 外径120直流无刷行星减速电机外形图纸 Outside Diameter 120 DC Brushless Motor



电机型号 Motor Type	减速箱型号 Gearbox Model	减速比 Gear Ratio	L尺寸(mm) Dimension
Z120BLDPN	120ZPN□	一级Stage1	3.65~8.63
		二级Stage2	14~58
		三级Stage3	67~393



■ 无刷直流电机技术参数 BLDC Motor Technical Data

有刷电机型号 Motor Type	电压 Voltage	功率 Power	空载电流 No-load Current	空载转速 Rated Speed	额定电流 Rated Current	额定转速 Rated Speed	额定力矩 Rated Torque	电机寿命 Motor Life
Type	V	W	A	RPM	A	RPM	N.m	H
Z120BLDPN24400-30S	24	400	3.0	3500	20.5	3000	1.273	5000
Z120BLDPN48750-30S	48	750	2.5	3600	18.5	3000	2.388	5000
Z120BLDPN48900-30S	48	900	2.5	3700	23.5	3000	2.865	5000

■ 无刷直流行星减速电机技术参数 BLDC Planetary Gear Motor Technical Data-Z120BLDPN48750-30S

减速比 Ratio	3.65	5.36	6.55	8.63	14	19	25	28	34	45	58	67	81
输出轴转速 r/min Output shaft Speed	822	560	458	348	222	158.7	122	107	89	67	52	45	37
允许力矩 N.m Allowable Torque	7.84	11.52	14.07	18.54	27.07	36.74	48.35	54.15	65.75	87.02	112.16	116.77	141.17
减速级数 Reduction Stage	1	1	1	1	2	2	2	2	2	2	2	3	3

减速比 Ratio	91	102.7	119	128	146	165	192	232	302	393			
输出轴转速 r/min Output shaft Speed	33	29	25	24	21	18	16	13	9.9	7.6			
允许力矩 N.m Allowable Torque	158.60	179.52	207.40	223.08	254.46	287.57	300	300	300	300			
减速级数 Reduction Stage	3	3	3	3	3	3	3	3	3	3			