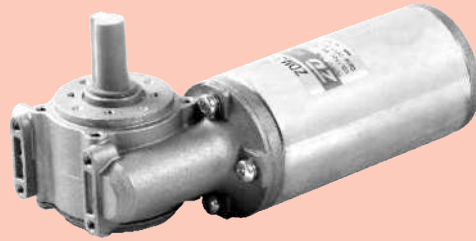


## 有刷开门电机 BRUSH DOOR MOTORS



### 产品特点 Product Characters

本产品采用DC永磁有刷马达做运转主体，可与微电脑控制系统方面对接，与电脑控制系统配合实现自我监察，制定最佳运作模式产品具有：噪声低、体积小、重量轻、寿命长、适用范围广等优点；同时可满足客户对自动门升级的需要。

This product adopted PMDC brush motor as the main part of rotor. It can be matched with computer system of control. It can realise self-supervise through matching with computer, and you can set the best working model. Such as speed, impetus, resistant power and so on. It has characters of low noise, small volume, light, long life and wide use. Meanwhile, it can meet the customers' request of update.

### 电机性能参数 Motor Performance Parameters

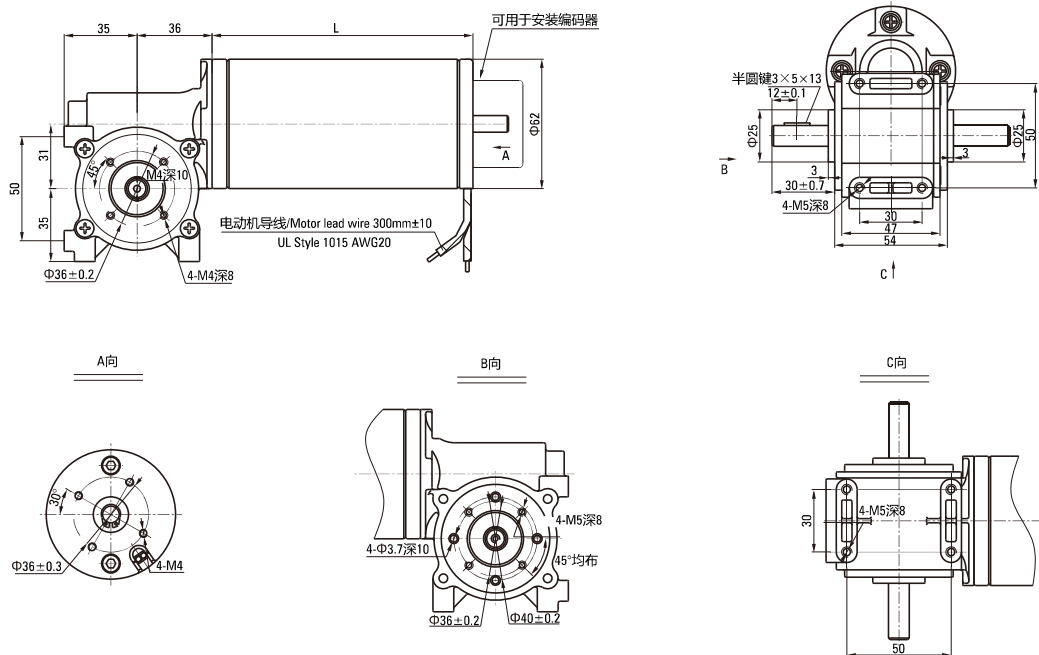
型号 Model	功率 Power W	电压 Voltage V	空载参数No-load Parameters		负载参数Load Parameters			整机允许力矩 Allowable Torque Motor		电机重量 Motor Weight kg
			转速Speed r/min	电流Current A	转速Speed r/min	力矩Torque mN.m	电Current A	GX10 mN.m	GX15 mN.m	
ZDMJ-5A	90	24	3900	1.1Max.	3350	257	5.4	1539	2309	1.8
ZDMJ-5B	90	36	4250	0.9Max.	3350		3.7			1.8
ZDMJ-5C	90	48	3900	0.7Max.	3350		2.7			1.8
ZDMJ-5D	90	60	4000	0.5Max.	3350		2.2			1.8

### 外形图 Dimensiond (单位Unit:mm)

减速器附有安装用螺丝 Mounting screws are included with gearhead

#### ● 导线型 Lead Wiring Type

重量 Weight : 电动机 Motor : 1.8kg 减速器 Gearhead : 0.8kg



电动机型号 Motor Model	电动机长度 (L) Motor Length(L)	减速器型号 Gearhead Model	减速比 Gear Ratio
ZDMJ-5A	125	GK□	10
ZDMJ-5B	113.5		
ZDMJ-5C	113.5		15
ZDMJ-5D	125		

- 减速器型号的□中为减速比的数值  
Enter the gear ratio in the box(□)within the model name

#### ● 电机接线图 Wiring Diagram Of Motor



- 转向：红"+"、黑"-"时，从轴伸端看为顺时针;客户要求或特殊情况除外;  
Turn: red "+", black "-", from the axis of the shaft to see the end of the clockwise; Exception of the user requirements or special circumstances;
- 标准引出线长度：300mm±10，型号：UL1015 规格：AWG20;  
Standard lead length: 300mm±10, type: UL1015 specification: AWG20;

#### ■ 主要技术要求 Main Data

- |                         |   |
|-------------------------|---|
| 1.基本技术参数：详见参数性能表        | 1. Basic specification: See parameter performance table                     |
| 2.其他参数：S1工作制，B级绝缘，IP20； | 2. Rated torque of bare motor: S1 working system, class B insulation, IP20; |
| 3.光机空载噪音：< 50dB, L=40cm | 3. No-load noise of whole motor: < 50dB, L=40cm                             |
| 4.耐电压：AC660V, 1S, 5mA   | 4. VE: AC660V, 1S, 5mA  |
| 5.绝缘电阻：> 20MΩ, 500V     | 5. Insulation resistance > 20MΩ, 500V                                       |
| 6.工作寿命：> 2500H          | 6. Life: > 2500H  |
| 7.环保要求：符合ROHS指令         | 7. Ambient request: ROHS  |