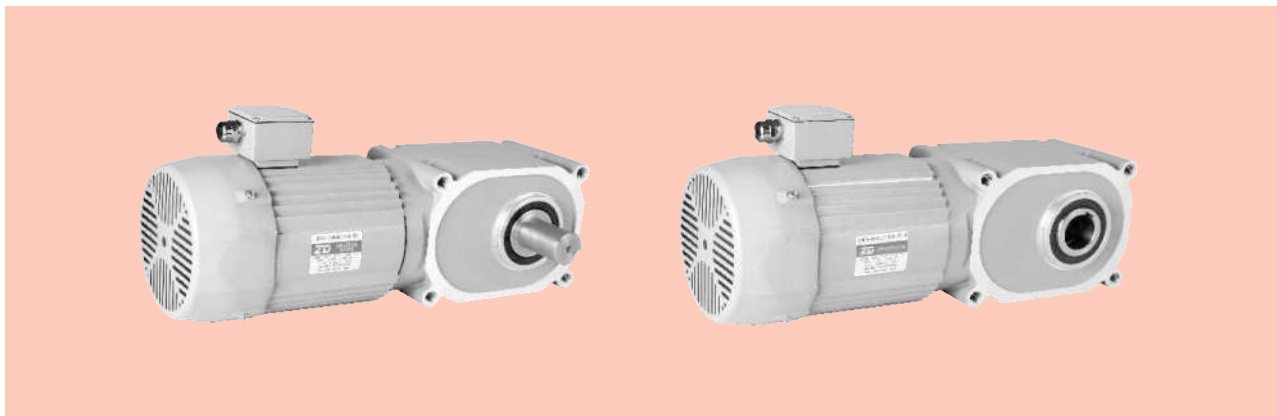


ZDF3尺寸图

ZDF3 SIZE CHART



规格 · 连续额定 Specification And Continuous Rating

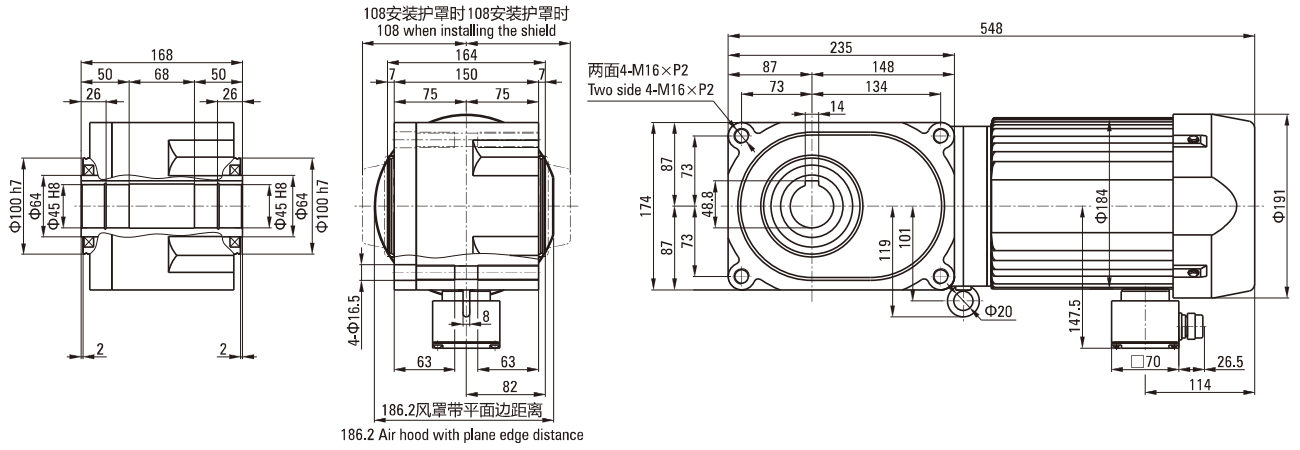
型号 Model	输出功率 Output Power	电压 Voltage	频率 Frequency	额定电流 Rated Current	额定转矩 Rated Torque	额定转速 Rated Speed	堵转转矩 Locked Rotor Torque	堵转电流 Locked Rotor Current	绝缘等级 Insulation Grade
	W	V	Hz	A	N.m	r/min	N.m	A	
ZDF3-45H□-2200-S	2200	200	60	8.50	12.4	1700	34.00	52.00	F
ZDF3-45H□-2200-S ₃		220	50	8.70	14.7	1430	70.00	69.00	
		380	50	5.00	14.7	1430	70.00	40.00	
		460	60	4.50	12.0	1740	83.00	46.00	

型号 Model	输出功率 Output Power	电压 Voltage	频率 Frequency	额定电流 Rated Current	额定转矩 Rated Torque	额定转速 Rated Speed	堵转转矩 Locked Rotor Torque	堵转电流 Locked Rotor Current	绝缘等级 Insulation Grade
	W	V	Hz	A	N.m	r/min	N.m	A	
ZDF3-40A□-2200-S	2200	200	60	8.50	12.4	1700	34.00	52.00	F
ZDF3-40A□-2200-S ₃		220	50	8.70	14.7	1430	70.00	69.00	
		380	50	5.00	14.7	1430	70.00	40.00	
		460	60	4.50	12.0	1740	83.00	46.00	

功率 Power	孔径/轴径 Aperture/Axis Diameter	减速比 Reduction Ratio	输出轴转速 Output Shaft Speed	输出轴容许转矩 Output Shaft Torque		输出轴容许 Output Shaft Tolerance		输出轴容许 Output Shaft Tolerance	
			r/min	N.m	kgf.m	N	kgf	N	kgf
2200	45/40	i	50Hz	50Hz	50Hz	N	kgf	N	kgf
			300.0	58	5.920	3100	316	800	82
			200.0	90	9.180	3500	357	900	92
			150.0	120	12.24	3900	398	967	99
			125.0	150	15.31	4100	418	1040	106
			100.0	180	18.37	4400	449	1067	109
			75.00	240	24.49	4700	480	1067	109
			60.00	300	30.61	4700	480	1067	109
50.00	360	36.73	4700	480	1067	109			

外形图
OUTLINE DRAWING

ZDF3-45H5~30-2200-S(B) ZDF3-45H5~30-2200-S₃(B)



ZDF3-40A5~30-2200-S(B) ZDF3-40A5~30-2200-S₃(B)

