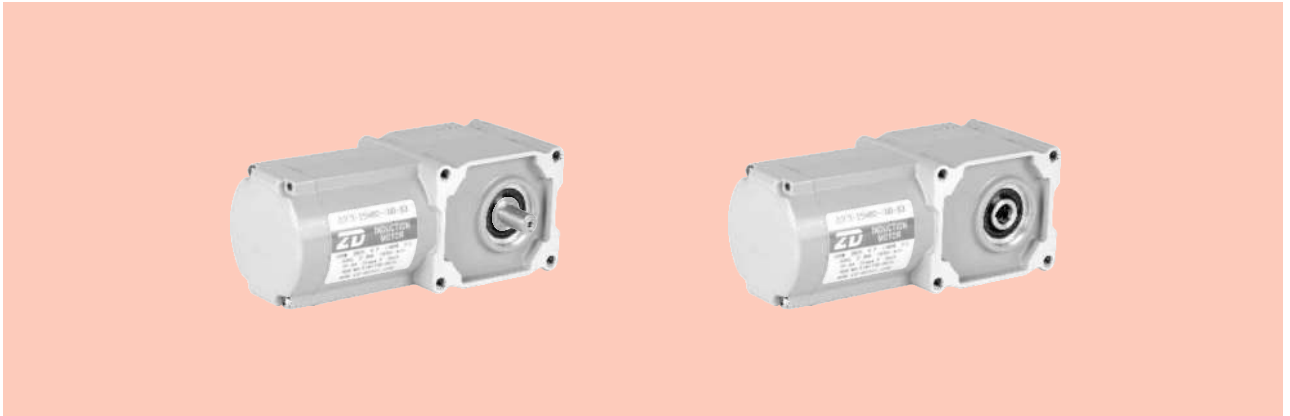


ZDF2尺寸图

ZDF2 SIZE CHART



规格 · 连续额定 Specification And Continuous Rating

型号 Model	输出功率 Output Power	电压 Voltage	频率 Frequency	额定电流 Rated Current	额定转矩 Rated Torque	额定转速 Rated Speed	堵转转矩 Locked Rotor Torque	堵转电流 Locked Rotor Current	绝缘等级 Insulation Grade
	W	V	Hz	A	N.m	r/min	N.m	A	
ZDF2-15H□-40-S(TB)	40	200	60	0.27	0.25	1500	0.62	0.76	F
		220	50	0.29	0.29	1320	0.90	0.90	
ZDF2-15H□-40-S ₃ (TB)		380	50	0.17	0.29	1320	0.90	0.56	
		460	60	0.16	0.23	1650	1.00	0.62	

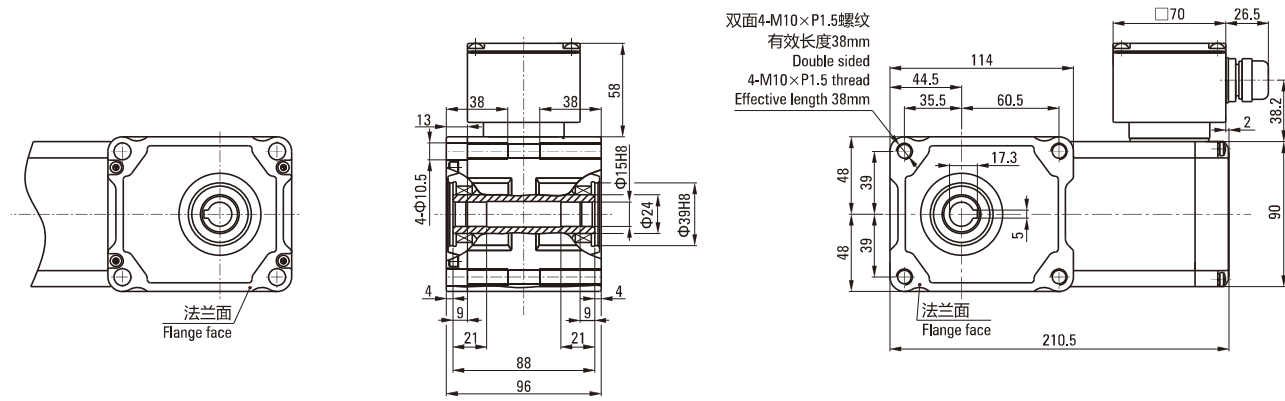
型号 Model	输出功率 Output Power	电压 Voltage	频率 Frequency	额定电流 Rated Current	额定转矩 Rated Torque	额定转速 Rated Speed	堵转转矩 Locked Rotor Torque	堵转电流 Locked Rotor Current	电容器 Capacitor	绝缘等级 Insulation Grade
	W	V	Hz	A	N.m	r/min	N.m	A	UF	
ZDF2-18A□-40-C(TB)	40	200	60	0.33	0.23	1650	0.20	0.80	2.50	F
		220	50	0.33	0.29	1350	0.20	0.85		
ZDF2-18A□-40-A(TB)		110	50	0.65	0.29	1350	0.20	1.70	10.0	
		110	60	0.65	0.23	1650	0.20	1.50		

功率 Power	孔径/轴径 Aperture/Axis Diameter	减速比 Reduction Ratio	输出轴转速 Output Shaft Speed	输出轴容许转矩 Output Shaft Torque		输出轴容许 Output Shaft Tolerance		输出轴容许 Output Shaft Tolerance	
			r/min	N.m	kgf.m	N	kgf	N	kgf
40	15/18	i	50Hz	50Hz	50Hz	N	kgf	N	kgf
			150	2.350	0.23	343	35	88	9
			100	3.520	0.35	441	45	108	11
			75.0	4.690	0.47	539	55	137	14
			60.0	5.870	0.59	588	60	147	15
			50.0	7.040	0.71	686	70	177	18
			37.5	9.390	0.95	784	80	196	20
			30.0	11.74	1.19	882	90	226	23
			25.0	14.09	1.43	882	90	226	23
			18.8	16.91	1.72	980	100	245	25
			15.0	21.14	2.15	980	100	245	25
			12.5	25.36	2.58	1080	110	275	28
			9.40	33.82	3.45	1370	140	343	35
			7.50	42.28	4.31	1370	140	343	35
6.30	50.73	5.17	1370	140	343	35			

外形图
OUTLINE DRAWING

ZDF2-15H10~240-40-C-T
ZDF2-15H10~240-40-S-T

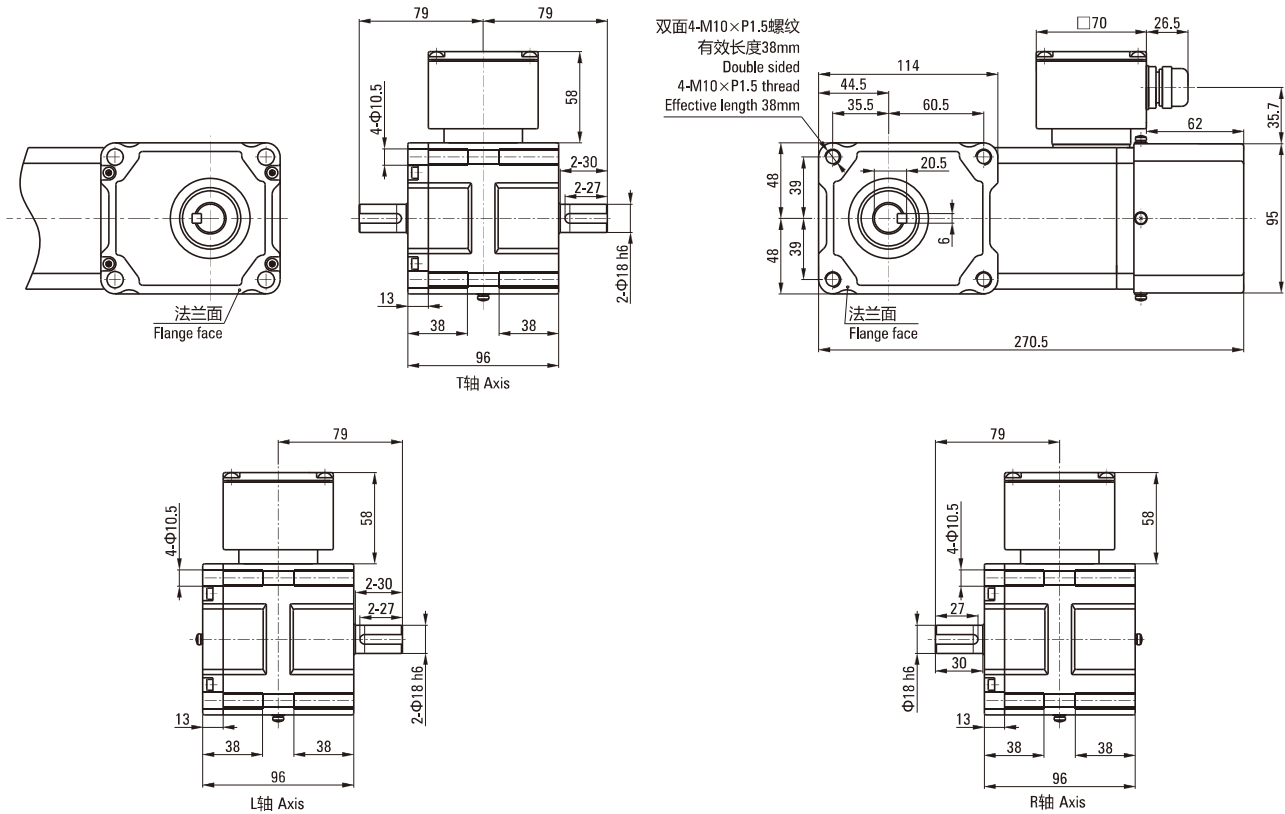
ZDF2-15H10~240-40-A-T
ZDF2-15H10~240-40-S3-T



注：常规产品不带接线盒 Note: Conventional products without wiring box

ZDF2-18A10_R~240_R-40-C-TB
ZDF2-18A10_R~240_R-40-S-TB

ZDF2-18A10_R~240_R-40-A-TB
ZDF2-18A10_R~240_R-40-S3-TB



注：常规产品不带接线盒 Note: Conventional products without wiring box